

Reinventing the
Adjusting Table!

ERGOSTYLE™ FX



User Manual

Model 5820 - Manual Drops

Model 5822 - Auto Drops



ISO 13485 CERTIFIED

TOC





TABLE OF CONTENTS

● FOREWORD	1	● MAINTENANCE	19-20
▶ Product Description	1	▶ Cleaning	19
● ABOUT ERGOSTYLE FX TABLE	2	▶ Service	19
▶ Precautionary Instructions	2	▶ Warranty Repair/Out of Warranty Repair	19
▶ Cautions	3	▶ Lubrication Points	20
▶ Warnings	3	● WARRANTY	21
▶ Dangers	4		
● NOMENCLATURE	5-9		
▶ Table Familiarization	5		
▶ Autoflexion User Interface Familiarization	6-8		
▶ Autococking Controls Familiarization	9		
● TECHNICAL SPECIFICATIONS	10-11		
▶ Specifications	10		
▶ Table Symbol Definitions	10		
▶ Table Cushion Dimensions	11		
● SETUP	12-13		
▶ Contents of Crate	12		
▶ Glide Leveler Adjustments	12		
▶ Patient Preparation	13		
● OPERATION	14-15		
● REPLACEMENT PARTS	16		
● ACCESSORIES AND OPTIONS	17		
● TROUBLESHOOTING	18		





FOREWORD

This manual has been written for the owners and operators of the ErgoStyle FX Table. It contains general instructions for operation, precautionary instructions, and maintenance recommendations. In order to obtain maximum life and efficiency from your ErgoStyle FX Table, and to assist in the proper operation of the unit, read and understand this manual thoroughly.

The specifications put forth in this manual were in effect at the time of the publication. However, owing to Chattanooga Group's policy of continuous improvement, changes to these specifications may be made at any time without obligation on the part of Chattanooga Group.

Before administering any treatment to a patient, you should become acquainted with the operating procedures, as well as the indication, contraindications, warnings, and precautions.

Product Description

The ErgoStyle FX Table is used in the treatment of spinal and joint dysfunction through spinal and joint manipulation. The ErgoStyle FX has a contemporary look, a fully-enclosed lifting system, extending ankle rest, dual foot pedals, and modular headpieces. Simple selector switches allows the choice of one, two, or three drops in any combination for repeated use. Pressing the Comfort Zone™ when the patient's threshold for pain is reached allows the table to continue treatment but at a reduced flexion angle limit.

This equipment is to be used only under the prescription and supervision of a licensed practitioner.





ABOUT ERGOSTYLE FX TABLE

PRECAUTIONARY INSTRUCTIONS

The precautionary instructions found in this section and throughout this manual are indicated by specific symbols. Understand these symbols and their definitions before operating this equipment. The definitions of these symbols are as follows:



Caution-

Text with a “CAUTION” indicator will explain possible safety infractions that could have the potential to cause minor to moderate injury or damage to equipment.



Warning-

Text with a “WARNING” indicator will explain possible safety infractions that will potentially cause serious injury and equipment damage.



Danger-

Text with a “DANGER” indicator will explain possible safety infractions that are imminently hazardous situations that would result in death or serious injury.

NOTE:

Throughout this manual “NOTE” may be found. These Notes are helpful information to aid in the particular area or function being described.



ABOUT ERGOSTYLE FX TABLE

CAUTION

- Read, understand, and practice the precautionary and operating instructions found in this manual. Know the limitations and hazards associated with your treatment table. Observe any and all precautionary and operational decals placed on the unit.
- DO NOT operate this table in an environment where other devices are being used that intentionally radiate electromagnetic energy in an unshielded manner. Portable and mobile RF communications equipment can affect Medical Electrical Equipment.
- This table generates, uses, and can radiate radio frequency energy and, if not installed and used in accordance with the instructions, may cause harmful interference to other devices in the vicinity. However, there is no guarantee that interference will not occur in a particular installation. Harmful interference to other devices can be determined by turning this table on and off. Try to correct the interference using one or more of the following: reorient or relocate the receiving device, increase the separation between the equipment, connect the table to an outlet on a different circuit from that which the other device(s) are connected and consult the Chattanooga Group Service Department for help.
- Keep table out of high moisture environments.
- This table should be operated, transported, and stored in temperatures between 16° C (60° F) and 38° C (104° F), with relative humidity ranging from 30% - 80%.

CAUTION

- Do not place patients on their back during flexion treatment.
- The table base should never be operated in an “out of level” position to the horizontal/ground plane greater than 5°.
- Always use both hands when changing the angle of any section, up or down.
- Inspect cables and connectors before each use.
- Test the Patient Switch cable before each use for proper operation.

WARNING

- Federal law restricts this device to sale by, or on the order of, a licensed practitioner.
- Make certain that the table is electrically grounded by connecting only to a grounded electrical service receptacle conforming to the applicable national and local electrical codes.
- Care must be taken when operating this equipment adjacent to or stacked with other equipment. Potential electromagnetic or other interference could occur to this or other equipment. Try to minimize this interference by not using other equipment in conjunction with it.
- Do not unlock the table with full tension.
- Do not leave the table unlocked and unattended at any time.





ABOUT ERGOSTYLE FX TABLE



WARNING

- Never place your hands and feet near the working mechanism of the table when making any and all adjustments to height or table sections.
- Use only accessories that are specially designed for the ErgoStyle FX table. Do not use accessories manufactured by other companies on the ErgoStyle FX. Chattanooga Group is not responsible for any consequence resulting from using products manufactured by other companies. The use of other accessories or cables may result in increased emissions or decreased immunity of the ErgoStyle FX.
- Do not sit or allow patients to sit on the Head Section, Flexion Section, or Extending Ankle Rest of the table.
- Do not lift table by Head Section or Arm Rest.
- Do not smoke on or around table.
- Do not allow any unsupervised patient access to the treatment table.
- The table should be locked before the loading or unloading of a patient. Do not reposition or allow the patient to get on or off the table while the table is ascending/descending or if the drops are in the cocked or engaged positions.
- This table should only be operated under the prescription and supervision of a licensed medical practitioner that is familiar with the precautionary measures and operational functions associated with the table being used.



DANGER

- Do not allow anything to be under the table while the table is in operation.

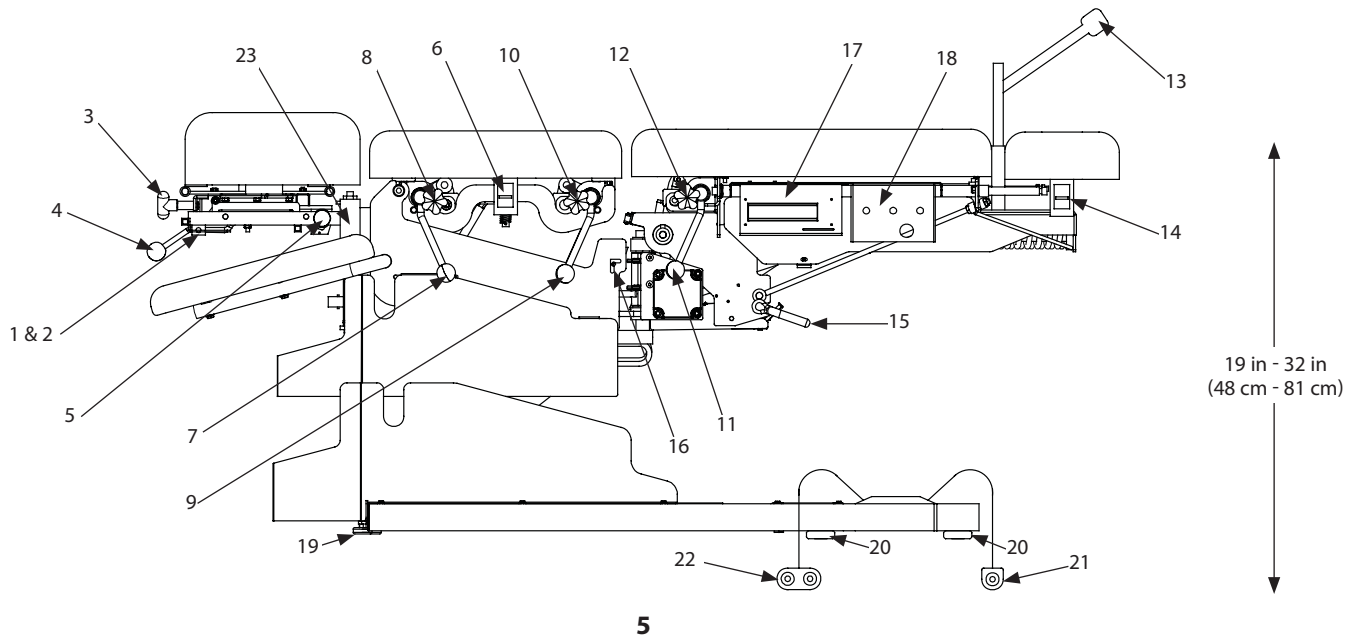




NOMENCLATURE

TABLE FAMILIARIZATION

- | | | | |
|---|----------------------------------|--|---|
| 1. Headpiece Elevation Release Control | 7. Thoracic Drop Cocking Lever | 13. T-Bar Unlock Knob | 19. Adjustable Glide Leveler |
| 2. Headpiece Tilt Release Control | 8. Thoracic Drop Tension Control | 14. Ankle Release Lever | 20. Fixed Glide Levelers |
| 3. Head Cushion Adjustment (Face Width) | 9. Lumbar Drop Cocking Lever | 15. (Auto Flexion/Manual Flexion) Lock | 21. Autococking Control Pedal |
| 4. Forward Drop Cocking Lever | 10. Lumbar Drop Tension Control | 16. Lateral Flexion Lever | 22. Elevation (Flexion Tension) Control Pedal |
| 5. Forward /Toggle Drop Tension Control | 11. Pelvic Drop Cocking Lever | 17. Autoflexion User Interface | 23. Patient Switch Receptacle |
| 6. Breakaway/Elevating Chest Release | 12. Pelvic Drop Tension Control | 18. Autococking Controls | |





NOMENCLATURE

AUTOFLEXION USER INTERFACE FAMILIARIZATION



The Autoflexion User Interface displays the current Auto Flexion parameters. The top line displays the parameter name and the bottom line displays the current parameter.

NOTE: After 15 minutes of inactivity, a screensaver display will begin scrolling across the display. Pressing any button or moving the table will reactivate the main menu screen.



Start/Stop: Starts or stops the Auto Flexion motion of the table during treatment.

How to Use: Press the Start/Stop button to begin or end Auto Flexion motion.

NOTE: When the motor is stopped, the electronic brake will be engaged.



Minimum (Extension) Angle: View and modify the minimum angle parameter in degrees.

How to use: To modify the Minimum Angle, press the Minimum Angle button and press the Up or Down Arrow button. Press the Minimum Angle button again to set the angle. After 15 seconds of inactivity, the display will return to the main menu automatically.

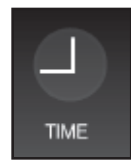
NOTE: The Minimum Angle must be at least 2° less than the Maximum Angle.



Maximum (Flexion) Angle: View and modify the maximum angle parameter in degrees.

How to use: To modify the Maximum Angle, press the Maximum Angle button and press the Up or Down Arrow button. Press the Maximum Angle button again to set the angle. After 15 seconds of inactivity, the display will return to the main menu automatically.

NOTE: The Maximum Angle must be at least 2° larger than the Minimum Angle.



Time: View and modify the time of treatment in minutes.

How to use: To modify the treatment time, press the Time button and press the Up or Down Arrow button. Press the Time button again to set the time. After 15 seconds of inactivity, the display will return to the main menu automatically.





NOMENCLATURE

AUTOFLEXION USER INTERFACE FAMILIARIZATION (CONTINUED)



Speed: View and modify the Auto Flexion speed.

How to use: To modify the Auto Flexion speed, press the Speed button and press the Up or Down Arrow button. The range of the speed parameter is 1 to 20, where 1 is the slowest and 20 is the fastest. Press the Speed button again to set the speed. After 15 seconds of inactivity, the display will return to the main menu automatically.

NOTE: When in the main menu, pressing the Up or Down Arrow button will change the Speed parameter. This allows changing the speed during treatment.



Tension: Switches the elevation foot pedal from elevation mode to flexion tension mode, allowing the flexion tension actuator to be adjusted.

How to use:

Manual: Use the Tension Foot Control to adjust the tension.

Autoflexion: Make sure the table is in Neutral position to engage tension. **(See Page 8 for more information)** Press the Tension button to switch the elevation foot pedal to flexion tension mode. Use the foot pedal to adjust tension. After 10 seconds of inactivity, the foot pedal will automatically return to the elevation mode. The tension mode cannot be entered if the Motor is engaged.

NOTE: The LED indicator located next the Tension button will illuminate when flexion tension mode is activated.



Auto Set: Allows the clinician to set the maximum and minimum angles for Auto Flexion while the patient is on the table.

How to use: There are two ways to use the Auto Set mode:

1. Press the Auto Set button. Manually move the pelvic section up to the desired maximum (extension) angle. Press either side of the elevation foot pedal to set the angle. Manually move the pelvic section down to the desired minimum (flexion) angle. Press the elevation foot pedal to set the angle.
2. The maximum and minimum angles can also be set combining the use of the maximum and minimum buttons and the Up and Down Arrow buttons.

(See Page 6 for more information)

NOTE: This mode is not accessible during treatment.



Up Arrow: Increases treatment parameters in conjunction with other buttons (Time, Speed, Minimum Angle or Maximum Angle).

Down Arrow: Decreases treatment parameters in conjunction with other buttons (Time, Speed, Minimum Angle or Maximum Angle).

NOTE: The Up or Down Arrow buttons do not adjust Tension. **See the Tension Section for more information on how to adjust Tension.**



NOMENCLATURE

AUTOFLEXION USER INTERFACE FAMILIARIZATION (CONTINUED)



Lock: LED indicator illuminates when the rear section of the table is in the locked position.

How to use: Turn the Auto Flexion/Manual Flexion Lock (15) towards the rear of the table to lock the pelvic section.



WARNING

- The table should be locked before the loading or unloading of a patient. Do not reposition or allow the patient to get on or off the table while the table is ascending/descending or if the drops are in the cocked or engaged positions.

NOTE: Auto Flexion is not accessible when the table is in the locked position. An audible tone will sound as a reminder that the table is in the locked position.



Engage: LED indicator illuminates when the Auto Flexion gear is engaged.

How to use: Turn the Auto Flexion/Manual Flexion Lock (15) towards the front of the table to engage the Auto Flexion gear.

NOTE: The message "Engage Motor" will appear if the Auto Flexion gear is not engaged and the Auto Flexion operation will not be allowed to start until the motor is engaged.



When treatment is completed, the table will return to the neutral position (0°), an audible tone will sound and a message will display saying, "**Treatment Finished. Disengage Motor**" as a reminder that the table needs to be locked. If the Auto Flexion is not active, but the motor is in the engaged position, an audible tone will sound and a message will appear on the display every 10 seconds as a reminder to disengage the motor.



Neutral: The Neutral position of the Auto Flexion/Manual Flexion Lock (15) is used to set the flexion tension as well as allow manual flexion by the clinician.

How to use: Turn the Auto Flexion/Manual Flexion Lock (15) up to disengage the Auto Flexion gear.



AUTOCOCKING CONTROLS FAMILIARIZATION



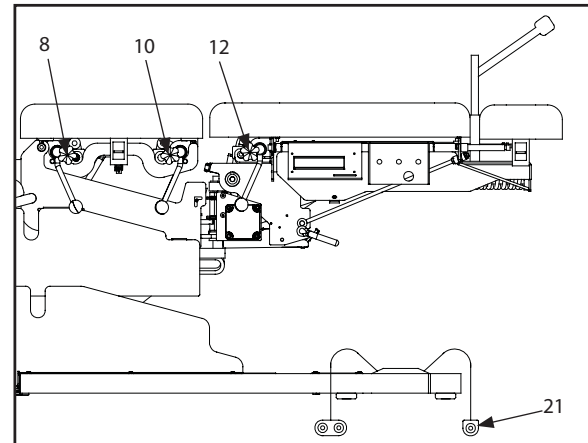
(A) Thoracic Autococking Toggle Switch: To cock the Thoracic Drop, position the toggle switch to the ON position and depress the Autococking Control Pedal (21). To adjust the holding ability of the drop section, turn the Thoracic Drop Tension Control (8) to increase or decrease holding ability.

(B) Lumbar Autococking Toggle Switch: To cock the Lumbar Drop, position the toggle switch to the ON position and depress the Autococking Control Pedal (21). To adjust the holding ability of the drop section, turn the Lumbar Drop Tension Control (10) to increase or decrease holding ability.

(C) Pelvic Autococking Toggle Switch: To cock the Pelvic Drop, position the toggle switch to the ON position and depress the Autococking Control Pedal (21). To adjust the holding ability of the drop section, turn the Pelvic Drop Tension Control (12) to increase or decrease holding ability.

NOTE: The three drop toggle switches can be run in a combination of sequences. Each drop can also be operated manually **(See Page 14 for more information).**

(D) Autococking Speed Control Knob: To modify Autococking speed, turn the Autococking Speed Control Knob clockwise to decrease speed and counterclockwise to increase speed.





TECHNICAL SPECIFICATIONS

Operation	Models 5820 & 5822
Elevation/ Tension/ Flexion Motor:	24V DC
Voltage:	100V-240V
Tension Motor Power Supply:	Switching Power Supply
Rated Frequency:	50/60 Hz
Current:	2A
Fuses:	T 6.3 AL 220V 5 x 20MM
Lifting Capacity:	400 lbs. (182 kg)
Shipping Weight*:	320 lbs. (145 kg)
Elevation/Tension Duty Cycle:	Intermittent-Max. 1 minute on, 9 minutes off (both motors)
Flexion Motor Duty Cycle:	Continuous Use
Maximum Flexion Angle (Manual):	17°
Maximum Extension Angle (Manual):	14°
Maximum Flexion Angle (AutoFlexion):	15°
Maximum Extension Angle (AutoFlexion):	12°
Side Bending:	40°
AutoFlexion Speed:	0.5°/second to 6.5°/second
Table Length (Head to Toe):	69.5 in (177 cm) - 76 in (193 cm)

* Basic Table (Without Auto Flexion or Any Drops)

Table Symbol Definitions



Warning: Pinch Point



Patient Support:
Orthogonal Movement to
its Plane



Patient Cradle: Rotation
about its axis

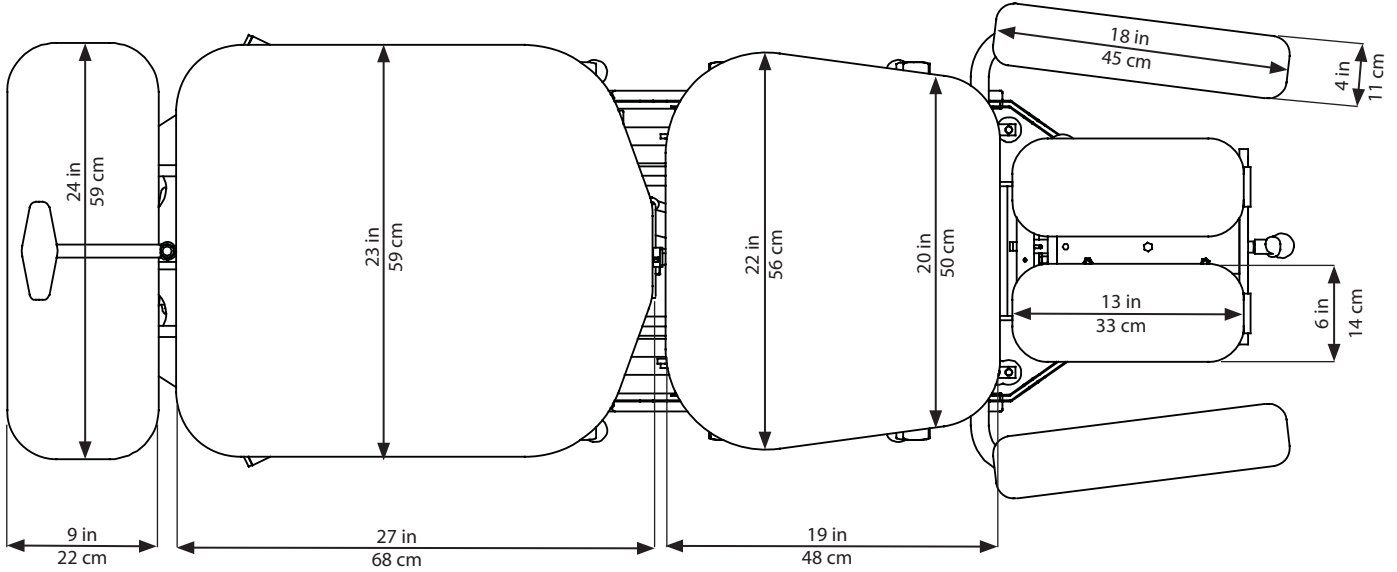
Meets Directive 93 /42 /EEC
IEC/UL/EN: 60601-1
EN 60601-1-2





TECHNICAL SPECIFICATIONS

TABLE CUSHION DIMENSIONS





SETUP

CONTENTS OF CRATE

After removing top and side panels of shipping crate, you may notice metal bands and plastic straps. These are used to secure various sections of the table and must be removed before the table can be lifted out. The table must be lifted directly upward in order to clear all shipping restraints.

Visually inspect for damage. Report any damage to the carrier immediately.

A MINIMUM OF TWO PEOPLE WILL BE REQUIRED TO LIFT AND MOVE THE TABLE. TABLE SHOULD BE LIFTED BY THE BASE FRAME.



WARNING

- Do not lift the table by the Head Section or Arm Rest.

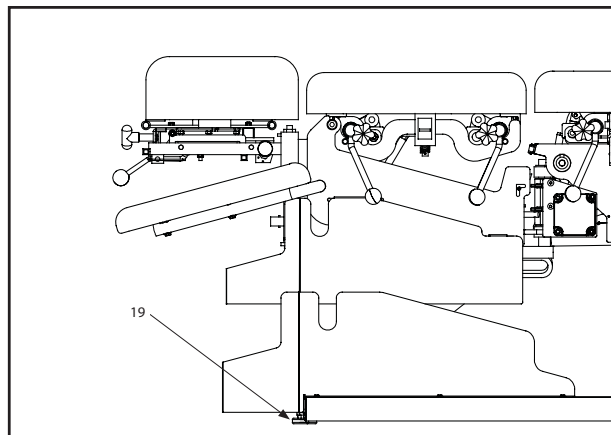
Contents of Crate:

Models 5820 and 5822:

- ErgoStyle FX Table
- Patient Switch - 60 in (153 cm) in cable length, shielded, 26 AWG
- Mains Power Cord - 94 in (239 cm) in cable length, shielded, 18 AWG
- User Manual (CD-ROM)

Glide Leveler Adjustments:

Adjust the front glide leveler (19) until it is at equal height with the rear fixed glide leveler. Tighten the front glide leveler with a regular crescent wrench.





PATIENT PREPARATION



Patient Switch Receptacle

The Patient Switch Receptacle is located on the front of the table close to the left armrest.



Attach the Patient Switch by inserting the male end of the cable into the Patient Switch Receptacle.

NOTE: The Patient Switch must be plugged in for the table to operate.



Test the Patient Switch by pressing the button.

Give the Patient Switch to the patient, instructing that pressing the button once will stop the treatment, a constant audible tone will sound, and the table will return to the neutral position at half speed and stop. The audible tone can be stopped by pressing the Start/Stop button, which will discontinue the treatment.

Pressing and holding the Patient Switch button during the constant audible tone will engage the Comfort Zone (**See Page 15 for more information**).



OPERATION

(1/ 2/ 4/ 5) Headpiece with Forward and Toggle Drop

To elevate the headpiece, pull back on the Headpiece Elevation Release Control (1) to allow the headpiece to rise up. To lower the headpiece, pull back on the Headpiece Elevation Release and gently push down on the headpiece. This is a self-locking control.

To tilt the headpiece, pull back on the Headpiece Tilt Release Control (2). Release of the control self locks the headpiece at the position you choose.

To engage or “Cock” the Forward Motion Drop, push down on the Forward Drop Cocking Lever (4). To adjust the drop holding tension, adjust the Forward/Toggle Drop Tension Control (5). The forward motion drop will fall in a forward direction when released.

The Toggle Drop can be cocked by pulling up on the back portion of the head cushion closest to the thoracic/lumbar cushion. To adjust the holding ability of the drop section, turn the Forward/Toggle Drop Tension Control (5) to increase or decrease holding ability. The toggle drop will fall in a straight down motion.

(6) Breakaway/Elevating Chest (Optional)

The chest section of the table can be adjusted for spring action or positioned to hold at various angles. To lock or unlock the chest section, toggle the Breakaway/ Elevating Chest Release (6). To position the chest section of the table to a particular angle, first unlock the Breakaway/ Elevating Chest Release (6), move the chest section to the desired angle, then lock the Breakaway/Elevating Chest Release (6) to hold the new position.

(7/ 8) Thoracic Manual Drop (Optional)

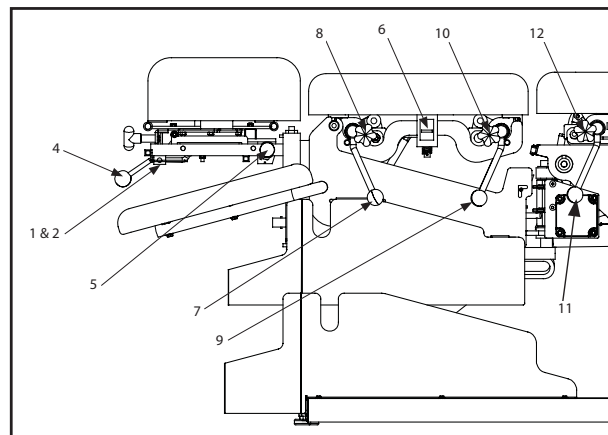
To cock the Thoracic Drop, pull up on the Thoracic Drop Cocking Lever (7). To adjust the holding ability of the drop section, turn the Thoracic Drop Tension Control (8) to increase or decrease holding ability.

(9/ 10) Lumbar Manual Drop (Optional)

To cock the Lumbar Drop, pull up on the Lumbar Drop Cocking Lever (9). To adjust the holding ability of the drop section, turn the Lumbar Drop Tension Control (10) to increase or decrease holding ability.

(11/ 12) Pelvic Manual Drop (Optional)

To cock the Pelvic Drop, pull up on the Pelvic Drop Cocking Lever (11). To adjust the holding ability of the drop section, turn the Pelvic Drop Tension Control (12) to increase or decrease holding ability.



TOC





OPERATION

(15/ 16) Pelvic Section

The Pelvic Section of the ErgoStyle FX table can move in two directions: Flexion/Extension and Side Bending. The Ankle Rest moves along with the Pelvic Section in any of these directions.

Flexion and Extension: To move the table in these two directions, turn the Auto Flexion/Manual Flexion Lock (15) towards the front of the table. The table will now move in flexion and extension. Counterbalancing the patient's weight is accomplished by making sure the table is in the Neutral position, pushing the tension button from the Autoflexion User Interface, then pushing either side of the Foot Pedal. To hold any position, turn the Auto Flexion/Manual Flexion Lock (15) towards the rear of the table.

Side Bending: Pull up and push over the Lateral Flexion Lever (16) to unlock the pelvic section, allowing for a side to side motion. To lock in any position, pull over and push in the Lateral Flexion Lever (16).

(14) Ankle Rest

To extend the ankle rest, pull back on the Ankle Release Lever (14) and pull the ankle rest away from the table.

(13) T-Bar

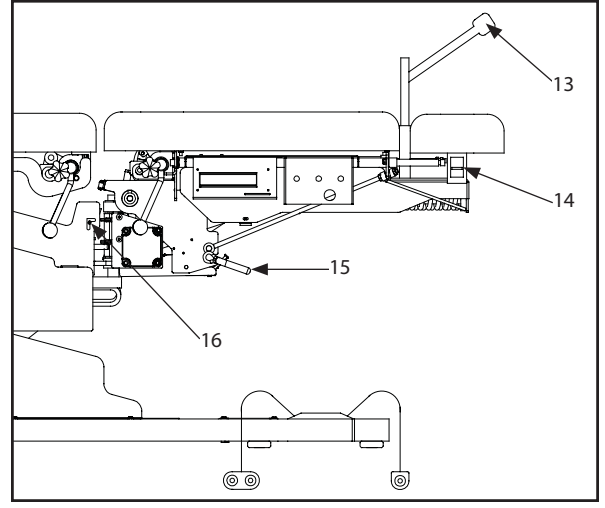
The T-Bar can be rotated in its holder 360°, and is removable from the table. By loosening the T-Bar Unlock Knob (13), you can rotate the T-Bar on its axis, then retighten to hold the desired position. To remove the T-Bar, loosen the T-Bar Unlock Knob (13) and gently pull up on the T-Bar.

Table Height Adjustment

Press Foot Control for Table Elevation to raise or lower the table. Pressing "UP" will elevate the table, and pressing "DN" will bring the table to a lower height.

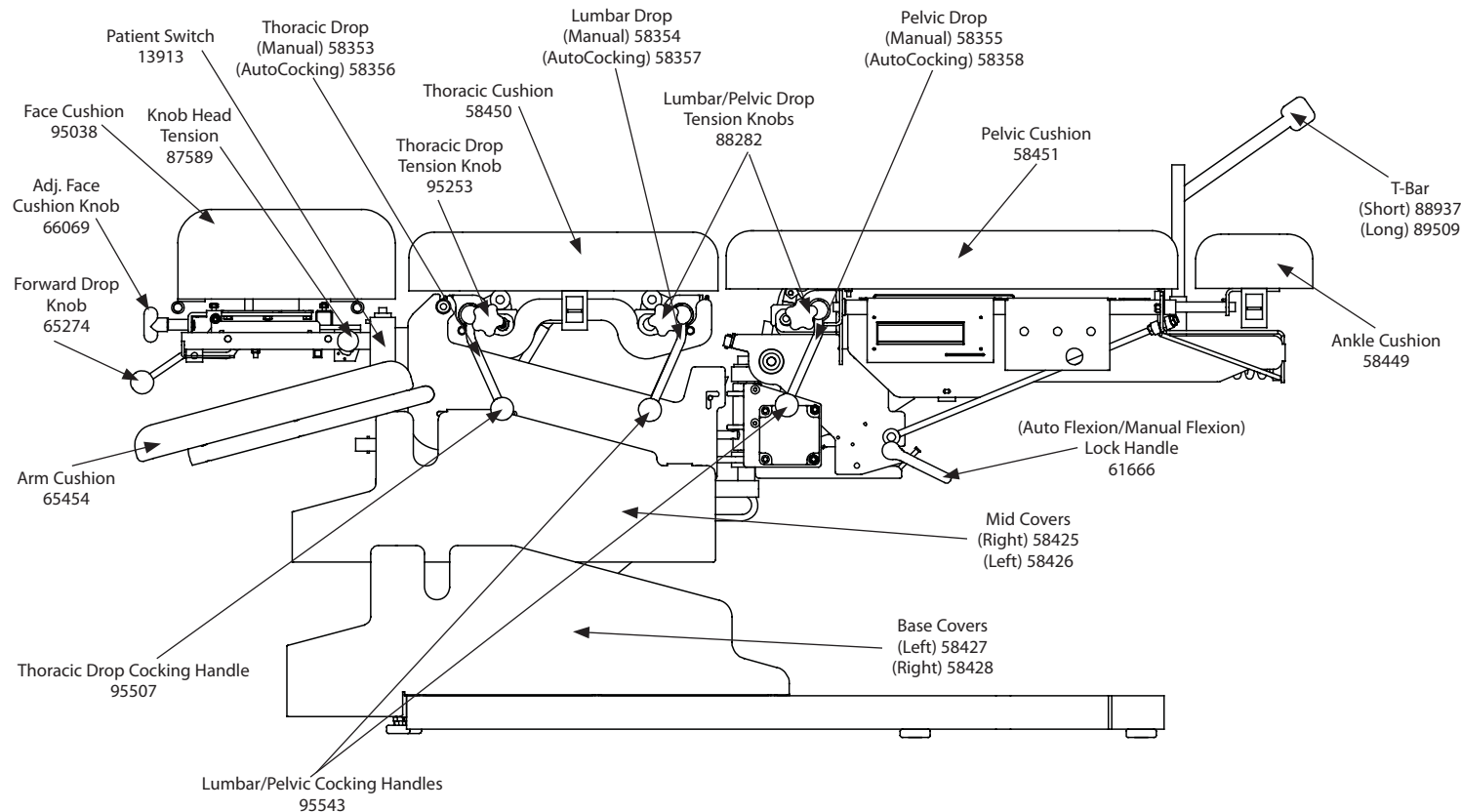
Comfort Zone

Pushing and holding the Patient Switch button for more than two seconds will engage the Comfort Zone function of the table. This function will immediately reduce the motor speed by 50%. As the treatment continues, the table will increase the Range of Motion by 1° with each successive stroke until the original range setting is achieved. Once the full Range of Motion is achieved, the motor speed will increase in 5% increments until the original speed setting is re-established.





REPLACEMENT PARTS





ACCESSORIES AND OPTIONS

Model 5820 - Manual Drops

Headpieces

- 58472 Tilt, Elevation, Forward Drop, Toggle Drop, Adjustable Face Cushion
- 58473 Tilt, Elevation, Adjustable Face Cushion
- 58474 Tilt, Stationary
- 58475 Tilt, Stationary, Forward Drop, Toggle Drop, Adjustable Face Cushion
- 58476 Tilt, Stationary, Adjustable Face Cushion

Manual Drops

- 58353 Thoracic Manual Drop
- 58354 Lumbar Manual Drop
- 58355 Pelvic Manual Drop

T-Bar

- 88937 T-Bar Short
- 89509 T-Bar Long

Elevation Foot Controls

- 95752 Single Elevation Foot Control (Standard)- 98 in (249 cm) cable length, unshielded, 26 AWG
- 95456 Double Elevation Foot Control (Optional)- (2) 54 in (137 cm) cable lengths, unshielded, 26 AWG

Tension Foot Controls (Manual Flexion Table Only)

- 58439 Dual Foot Switch- 98 in (249 cm) cable length, unshielded, 26 AWG
- 58440 Single Foot Switch- 98 in (249 cm) cable length, unshielded, 26 AWG

Model 5822 - Auto Drops

Headpieces

- 58472 Tilt, Elevation, Forward Drop, Toggle Drop, Adjustable Face Cushion
- 58473 Tilt, Elevation, Adjustable Face Cushion
- 58474 Tilt, Stationary
- 58475 Tilt, Stationary, Forward Drop, Toggle Drop, Adjustable Face Cushion
- 58476 Tilt, Stationary, Adjustable Face Cushion

AutoCocking Drops

- 58356 Thoracic Auto Drop
- 58357 Lumbar Auto Drop
- 58358 Pelvic Auto Drop

T-Bar

- 88937 T-Bar Short
- 89509 T-Bar Long

AutoCocking Foot Controls

- 95753 Single AutoCocking Foot Control (Standard)- 98 in (249 cm) cable length, unshielded, 26 AWG
- 95457 Double AutoCocking Foot Control (Optional)- (2) 54 in (137 cm) cable lengths, unshielded, 26 AWG

Elevation Foot Controls

- 95752 Single Elevation Foot Control (Standard)- 98 in (249 cm) cable length, unshielded, 26 AWG
- 95456 Double Elevation Foot Control (Optional)- (2) 54 in (137 cm) cable lengths, unshielded, 26 AWG

Tension Foot Controls (Manual Flexion Table Only)

- 58439 Dual Foot Switch- 98 in (249 cm) cable length, unshielded, 26 AWG
- 58440 Single Foot Switch- 98 in (249 cm) cable length, unshielded, 26 AWG





TROUBLESHOOTING

The ErgoStyle FX Table is designed with patient safety in mind. An error can be caused by both external and internal disturbances. Errors can be caused by disruptions in the power supply (such as a voltage break), and excess or inadequate voltage.

A continuous audible tone will sound and an error message will be displayed if the table detects a system failure.

To clear the Error Message from the table, hold down the Up and Down Arrow buttons simultaneously for 1-2 seconds. If the Error Message does not clear, no treatment should be attempted. Call Chattanooga Group for service.

Contact your Chattanooga Group dealer for all repair service. Be certain to specify your model number, serial number, and a detailed description of the issue you encountered.

ERROR MESSAGE	DEFINITION	PROBABLE CAUSE
POSITION POT ERROR	Incorrect position feedback from pot.	<ul style="list-style-type: none"> • Mechanical position shifted. Return to Chattanooga Group for service. • Faulty pot. Return to Chattanooga Group for service. • Faulty cable. Return to Chattanooga Group for service.
DRIVER BOARD ERROR	Control Board cannot communicate with the Driver Board.	<ul style="list-style-type: none"> • Faulty board. Return to Chattanooga Group for service. • Faulty cable. Return to Chattanooga Group for service.
LIMIT SW ERROR	Travel has exceeded operating range. (Auto Flexion Only)	<ul style="list-style-type: none"> • Faulty switch. Return to Chattanooga Group for service. • Faulty cable. Return to Chattanooga Group for service. • Cable is disconnected. Make sure cable is connected properly.
MOTOR STALL	Motor over voltage.	<ul style="list-style-type: none"> • If the table is assisted during AutoFlexion. Return to Chattanooga Group for service. • 24V motor exceeds 15%. Return to Chattanooga Group for service.





MAINTENANCE

CLEANING

After each use, clean the unit using a soft cloth dampened with water and a mild antibacterial detergent. Do not use abrasive cleansers.

SERVICE

Should the ErgoStyle FX Table require service, contact the selling dealer or Chattanooga Group Service Department.

All returned units to the factory for service must include the following:

WARRANTY REPAIR/OUT OF WARRANTY REPAIR

1. Written statement containing the following information:

- RA Number - Obtain from Factory
- Unit Model Number
- Unit Serial Number
- Contact person with Phone and Fax Numbers
- Billing Address (for Out of Warranty Repair)
- Shipping Address (Where to Ship Unit after Repair)
- Detailed Description of Problem or Symptoms

2. Copy of original invoice issued at purchase of the unit.

3. Ship unit to Factory in the original container with all accessories and information as required in item one (1) above to:

Chattanooga Group
4717 Adams Road
Hixson, TN 37343 USA
Phone: (423) 870-2281
Service Phone: +1-800-494-3395
FAX: (423) 875-5497

Service to these units should be performed only by Service Technicians certified by Chattanooga Group.





MAINTENANCE

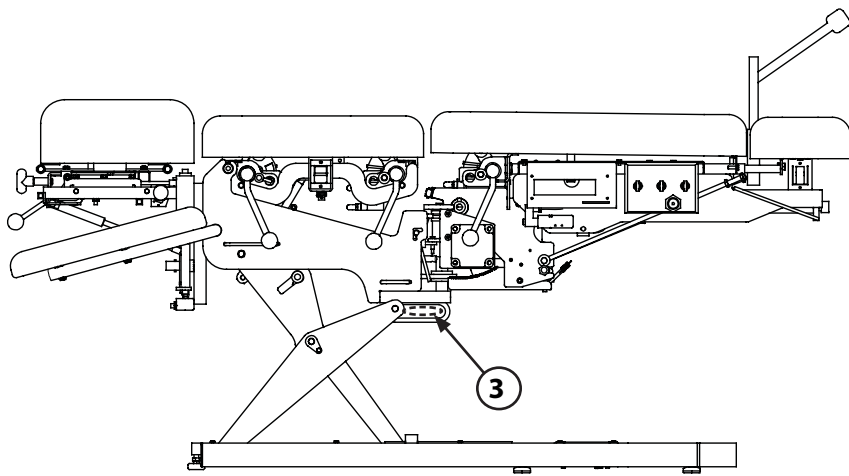
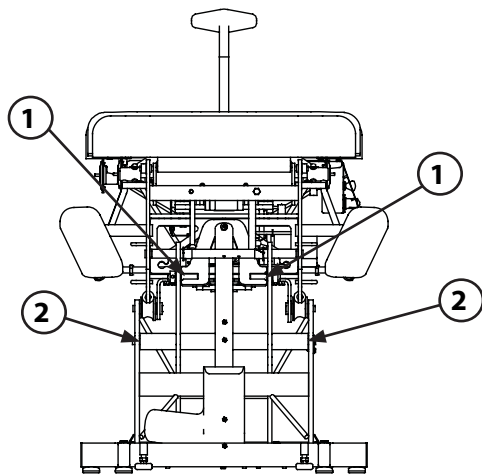
At least once a month, the table should be thoroughly inspected by a person qualified to recognize any signs of wear and tear, and looseness of bolts or parts. Replace any worn parts immediately.

Check periodically for leaks. Contact the Chattanooga Group Service Department should any leakage occur.

To lubricate, put a drop of oil on the following points of the ErgoStyle FX Table as needed:

Note: To lubricate the table, use a type of grease (ex: lithium grease) or a 3-in-1 oil. Do not use WD-40 or a similiar type of lubricant.

- 1. Scissor Actuator Mount Plate - both sides of table
- 2. Main Scissor Pivot Tube - both sides of table
- 3. Chassis Restraint - both sides of table





WARRANTY

Chattanooga Group (“Company”) warrants that the ErgoStyle FX Table (“Product”) is free of defects in material and workmanship. This warranty shall remain in effect for one year (12 months) from the date of original consumer purchase. If this Product fails to function during the one year warranty period due to a defect in material or workmanship, Company or the selling dealer will repair or replace this Product without charge within a period of thirty days from the date on which the Product is returned to the Company or the dealer.

All repairs to the Product must be performed by a service center authorized by the Company. Any modifications or repairs performed by unauthorized centers or groups will void this warranty.

This Warranty Does Not Cover:

- Replacement parts or labor furnished by anyone other than the Company, the selling dealer, or a service technician certified by the Company.
- Defects or damage caused by labor furnished by someone other than Company, the selling dealer, or a certified Company service technician.
- Any malfunction or failure in the Product caused by product misuse, including, but not limited to, the failure to provide reasonable and required maintenance or any use that is inconsistent with the Product User’s Manual.

COMPANY SHALL NOT BE LIABLE IN ANY EVENT FOR INCIDENTAL OR CONSEQUENTIAL DAMAGES.

Some locations do not allow the exclusion or limitation of incidental or consequential damages, so the above limitation or exclusion may not apply to you.

To obtain service from Company or the selling dealer under this warranty:

1. A written claim must be made within the warranty period to the Company or the selling dealer. Written claims made to the Company should be sent to:

Chattanooga Group
4717 Adams Road
Hixson, TN 37343 USA
Phone: (423) 870-2281
Service Phone: +1-800-494-3395
FAX: (423) 875-5497

and

2. The Product must be returned to the Company or the selling dealer by the owner.

This warranty gives you specific, legal rights and you may also have other rights which vary from location to location.

The Company does not authorize any person or representative to create for it any other obligation or liability in connection with the sale of the Product.

Any representation or agreement not contained in the warranty shall be void and of no effect.

THE FOREGOING WARRANTY IS IN LIEU OF ALL OTHER WARRANTIES, EXPRESSED OR IMPLIED, INCLUDING ANY WARRANTY OR MERCHANTABILITY OR FITNESS FOR A PARTICULAR PURPOSE.





Reinventing the Adjusting Table!



ISO 13485 CERTIFIED

4717 Adams Road
P.O. Box 489
Hixson, TN 37343 U.S.A.
1-423-870-2281
1-800-592-7329 U.S.A.
1-800-361-6661 CANADA
+1-423-870-7200 OUTSIDE USA
www.chattgroup.com

58460A

©2005 Encore Medical, L.P.

TOC

